



2500

*Class leading features*  
**RANGER**





*Class leading features*  
**RANGER**

2500



**Leading in features**

Being the smallest in the large HARDI trailer range, the kinship does not fail. The RANGER is designed to meet the request for a simple and reliable trailer. This goal is reached and proven by successful world-wide sales since the introduction in 2006.

At the same time RANGER is leading in its class offering a big range of different features.

**Quality and design**

Booms based on toughly different concepts ensure the right boom for the specific need.

Intelligent tank and frame design ensure stability and strength. Unique components guarantee best performance and ultimate durability.





### SelfSteer

SelfSteer is coupled on the tractor's 3-point hitch and gives a better tracking on headland.

SelfSteer is a simple mechanical steering system with low maintenance and no operation or setting required by the operator during the spray job.

SelfSteer can be equipped with slope correction. Slope correction is manually operated directly from the tractor's hydraulics and helps the SelfSteer to stay in the tramline also in hilly conditions.

### Manifold

The work zone is where all primary functions are placed in easy-to-reach positions. Everything needed to operate the sprayer is available in this area, and it is designed in a simple and logical way.

The manifold is prepared for options as RinseTank, cleaning nozzle and TurboFiller.

### TurboFiller

TurboFiller is a high capacity induction hopper which makes the filling of chemicals fast and easy.

The unique TurboDeflector creates a powerful liquid circulation in the hopper and mixes all types of chemicals quickly and safely.

The mixing water is added through a unique distribution plate placed in the bottom of the TurboFiller. This secures a high capacity also when powders are used.

### SPECIFICATIONS

- ▶ **Tank:** 2500 l designed for optimal stability and lowest residue
- ▶ **Frame:** High absolute clearance. Low centre of gravity
- ▶ **Diaphragm pump:** Reliable, high capacity and easy to service
- ▶ **Operating unit:** Electrically operated pressure regulation, on/off and sections
- ▶ **Controller:** HC 5500
- ▶ **Liquid system:** Intuitive and logical manifold system
- ▶ **Axle:** Adjustable from 1.5 to 2 m
- ▶ **PRO booms:** Compact, vertically folded booms from 12 to 24 m
- ▶ **EAGLE booms:** Simple and strong booms from 18 to 21 m

- ▶ Easy to operate
- ▶ Simple to service
- ▶ Short and compact
- ▶ Light weight



# Vertically folded booms

## Excellent performance

### PRO VH from 12-18 m and PRO VP booms 20, 21 and 24 m

The booms are constructed in steel with a lattice design optimizing weight with the greatest possible strength. The excellent performance of the PRO boom ensures precision spray applications even in the most challenging field conditions.

All functions on the PRO booms can be electro-hydraulically operated, from a compact, conveniently located control panel. The primary controls, those which are most used in the field, are grouped together for ease of use, such as boom height, independent tilting of either boom section and complete boom slanting.

Electro-hydraulic operation is option on VH and standard on VP.



#### AntiYaw

The whole range of PRO booms is equipped with an AntiYaw device.

The AntiYaw is incorporated into the boom on VP and on the boom centre on VH.

The anti yaw secures optimal spray application and minimizes stress on the sprayer.



#### Standard on PRO VH

- ParaLift for height control
- Symmetric fold of boom wings

#### Optional on VH / standard on VP

- Single-side folding
- Individual boom tilt
- Boom slant



# Horizontally folded booms

*Robust in tough field conditions*

## **EAGLE SPB 18, 20 and 21 m booms**

EAGLE booms feature a rugged two-dimensional structure and a coil spring self-stabilizing trapeze boom suspension. This combination provides for many years of trouble free use even in the toughest field conditions.

A non-directional spring loaded break-away system protects the boom from damage. EAGLE boom is the solution if robustness and high driving speed are required.

### **Standard:**

- ▶ ParaLift for height control
- ▶ Symmetric fold of boom wings

### **Optional:**

- ▶ Single-side folding
- ▶ Individual boom tilt
- ▶ Boom slant



The EAGLE boom is available with two different hydraulic set-ups.

**Y-version** gives an easy folding where left and right side of the boom are folded symmetrically.

**Z-version** is electro-hydraulic and gives the possibility of individual tilt and single-side folding.

Boom slant is an option on both versions.



The nozzle bodies are located behind and above the bottom of the boom structure, giving maximum protection.



# HC 5500 controller

## The obvious choice

### HC 5500

The HC 5500 is a powerful computer making the spray features easier and safer to use and easily supplies more information when needed. It is the obvious choice where features like IntelliTrack and advanced farming tools are desired. The operator is instantly informed of the operation status and warned if vital parameters like pressure, speed, etc. are incorrect.

It is advanced farming, ready with up to 98 register and connection possibilities to a site-specific application map or a remote sensor. Various optional extras like SprayRover, TankGauge or 12-V printer are available.

The LogicMenu makes it easy to get vital information very quickly; when pressing preset keys, the information appears in the largeformat area of the screen. They double up as short cut keys for the most used functions. Volume rate can be changed on the go as a percentage or as a volume value.

HC 5500 is equipped with the new SprayBox III, allowing connection of spray management systems like SprayRover 570.



### SprayRover 570

The SprayRover 570 is a stand-alone AutoSectionControl which can work in combination with the well-known HC 5500 controller. The 5.7" (14.5 cm) colour touch screen display can be used in 2D or 3D graphic while offering guidance with five different guidance modes.

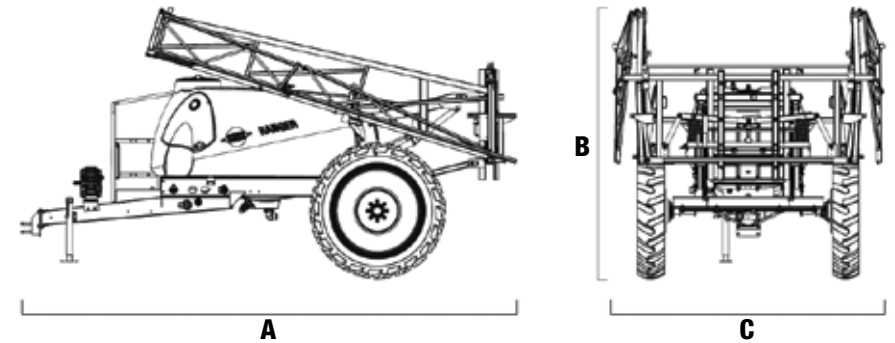
The HARDI SprayRover 570 is equipped with an antenna, which works with the free of charge EGNOS/WAAS signal, accurate and fine under normal field conditions. An optional higher quality antenna, the RXA-30, is available if running in hilly conditions.



# Technical specifications

Boom	EAGLE	PRO
Tank, l (net)	2500	2500
Pumps, type – l/min	1303-114 or 364-194	1303-114 or 364-194
Booms, m	18 / 20 / 21	12 / 15 / 16 / 18 / 20 / 21 / 24
Hydraulic outlets needed (Y models)	1 single + 1 double acting**	1 single + 1 double acting**
Hydraulic outlets needed (Z models)	1 double acting**	1 double acting**
Weight total (empty tank), kg	1.740-1.880	1.880-2.100
Total length*, m <b>A</b>	5.40 / 5.53***	5.40 / 5,53***
Total height*, m <b>B</b>	2.90 (11.2 × 38)	3.61 (11.2 × 38)
Width with boom in transport position*, m <b>C</b>	2.98	2.55
Track width, m	1.50-2.00	1.50-2.00
Length draw to axle, m	3.95	3.95
Ground clearance, m	0.70 (11.2 × 38)	0.70 (11.2 × 38)
RinseTank, l	250	250

\* Measurements: EAGLE 18 m, PRO 24 m \*\*Extra outlets needed for Slant on Y version, and for Slope correction \*\*\* No steer / steer



## Optionals



**Controller**  
HC 5500 – Well proven reliable spray controller



**SprayRover 570**  
GPS controlled AutoSectionControl



**Brakes**  
Hydraulic brakes,  
Parking brake,  
Pneumatic brakes 1 or 2 circuits



**External Cleaning Kit**  
Hose reel and spray gun for external cleaning



**CycloneFilter**  
Unique pressure filter with high speed cyclone action for self-cleaning  
\*Standard on PRO booms





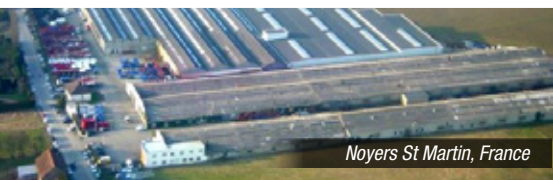
Nørre Alslev, Denmark



Lleida, Spain



Savigny, France



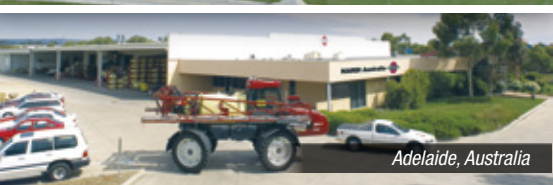
Noyers St Martin, France



Beaurainville, France



Davenport, USA



Adelaide, Australia

# HARDI

## The Sprayer

### HARDI INTERNATIONAL A/S

is an international group whose basic idea is to satisfy the user's requirements for quality products which ensure efficient, punctual and precise application of crop protection products. Our world-wide distribution and sales network comprise of more than 100 countries where we are represented by importers, agents and sales subsidiaries. These are situated in Sweden, Norway, Denmark, the UK, France, Spain, North America, Germany, Australia, China and EMC – Russia & CIS countries.

Since 1957 HARDI has committed to the ever-increasing demands for efficient and precise plant protection. HARDI is the trendsetter within application of crop protection products. To achieve this position continued developments and innovation are essential. HARDI is committed to the long term future of plant protection.

### Testing procedures

Sprayers leaving HARDI INTERNATIONAL A/S are tested according to the strictest quality standards.

Our staff responsible for final testing are accredited to test and document national approvals and standards from: Germany (BBA/JKI), UK (NSTS), China (CCC) and Denmark, where HARDI is approved to inspect sprayers.

This ensures that the highest quality sprayers are delivered to farmers.



### Superb surface treatment

The high-technology surface treatment contains 13 treatments, including a pre-treatment and powder coat painting of all major components.

Together with the Delta/Magni treatment of nuts, bolts and other items, we supply high corrosion protection of our products.

HARDI reserves the right to change the specifications without notice. Illustrations shown may include optional extras and accessories.



## HARDI INTERNATIONAL A/S

Herthadalvej 10 · 4840 Nørre Alslev · Denmark · Tlf.: +45 5446 4800 · Fax: +45 5446 4812  
E-mail: [hardi@hardi-international.com](mailto:hardi@hardi-international.com) · [www.hardi-international.com](http://www.hardi-international.com)



#HARDIsprayers

HIA MARKETING 897384 EN 07.2018